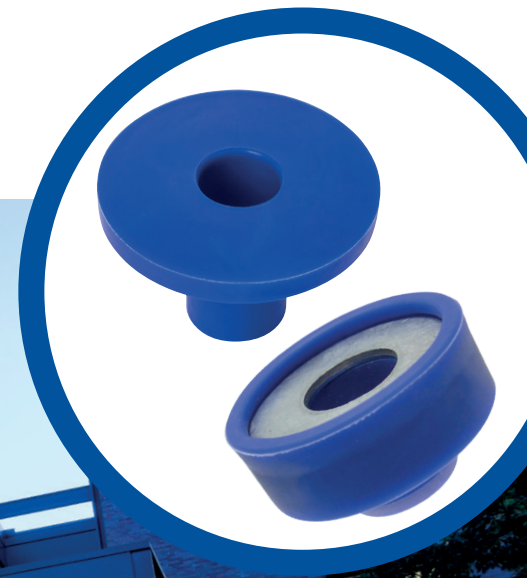


# Kwikstrut

## Sound insulation



### Features and benefits

- Sound insulation checked and approved
- Clear and simple
- A few products cover a wide range of applications
- Made in Germany
- Flexibility: products work in combination

### Very easy, very quiet – Try Kwikstrut sound insulation products

Sound protection is becoming more and more important in the construction industry, particularly in apartment construction. Especially in cities, where residential complexes are increasing in size, it is essential that acoustic decoupling is properly taken into consideration.

For this area, the Kwikstrut system offers a sound insulation line with universal application. The advantage here is that the individual parts can be used together in the sound insulation set or in combination with other products in the Kwikstrut and Kwikstrut-Q lines.



Precision  
Quality  
Innovation  
Control

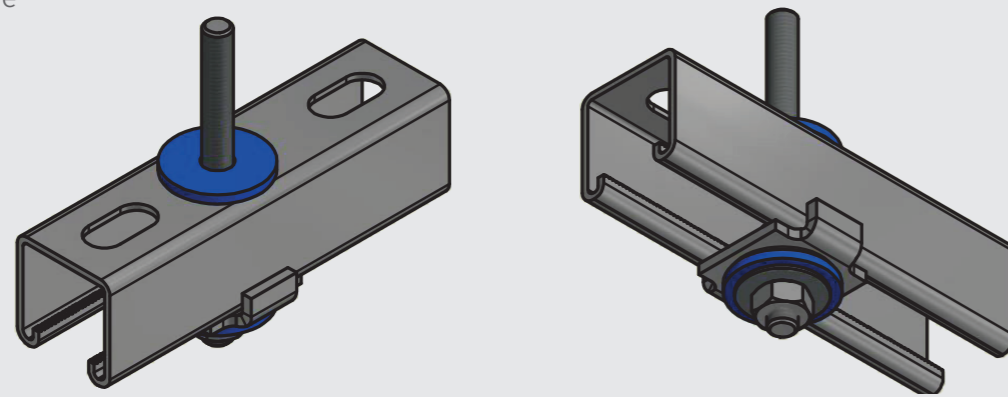


Made in  
Germany

KWIKSTRUT® metal framing and pipe supports offer complete solutions for the installation and support of piping systems. KWIKSTRUT® helps to reduce installation time and project costs across a wide variety of industrial and commercial applications.

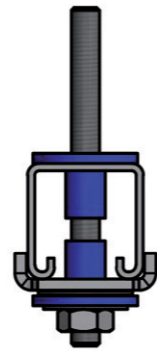
## Kwikstrut Sound insulation set

The sound insulation set can be used to decouple channels mounted on the wall or ceiling. For example, on risers in building conduits.



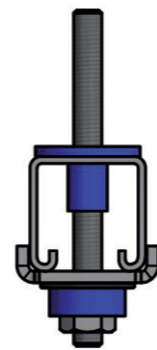
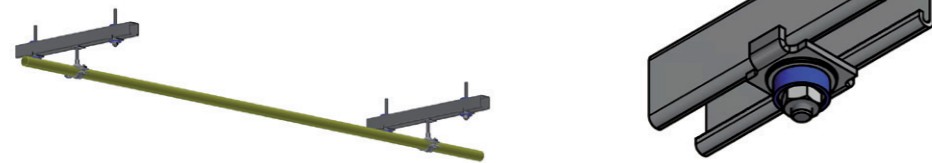
### Version 1

Version 1 consists of a U-shaped washer for 41 mm width channel (H41) and two sound insulation rings (SDR). The large contact area on the rings ensures secure attachment. Depending on the frequency range, a reduction in sound of up to 17 dB(A) can be achieved.



### Version 2

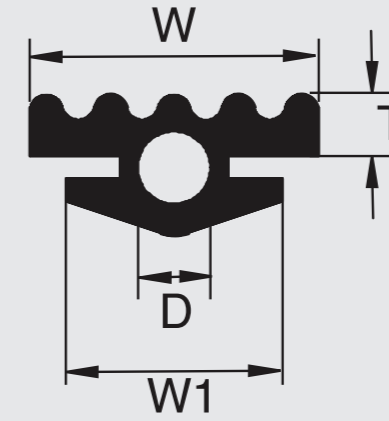
This version consists of a U-shaped washer for 41 mm width channel (H41), a sound insulation element (GLP) and a sound insulation ring (SDR). A reduction in sound of up to 19 dB(A) can be achieved, depending on the frequency range.



Item no.	Product	Type	PU
1404230	U-shaped washer for 41 mm width channel H41	Galvanised	100
1830020	Sound insulation ring SDR	blue	100
1315100	Sound insulation element GLP	blue	100

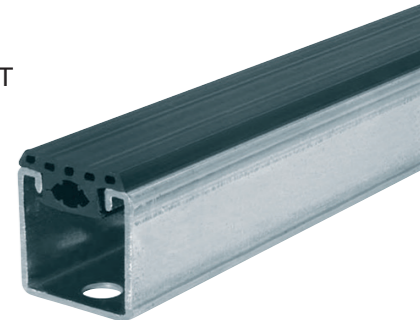
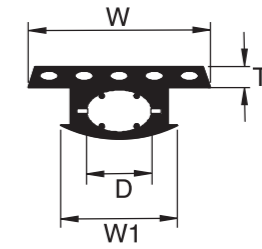
## Kwikstrut Rubber channel insulation and clip inserts

Vibration doesn't have a chance with sound insulation inserts for installation channels!



There are sound insulation inserts for our light and medium (41 mm) duty metal framing systems.

Artikel-Nr.	Typ	Material
1318301	Light duty channel	EPDM
1318341	Standard channel	EPDM



All of our pipe clips are available with sound insulation inserts. In general, this means EPDM, Shore A = 45° ± 5°. Some clip types, however, are also available in silicone with Shore A 40° ± 5°.



Clip type	Insert	Series	Approvals
Solid-R	EPDM	DN10 - DN500	Fire protection
Solid-S	Silicone	DN10 - DN500	VDS, Fire protection
Perfect-R	EPDM	DN10 - DN150	Fire protection
Standard-R	EPDM	14 mm - DN200	Fire protection

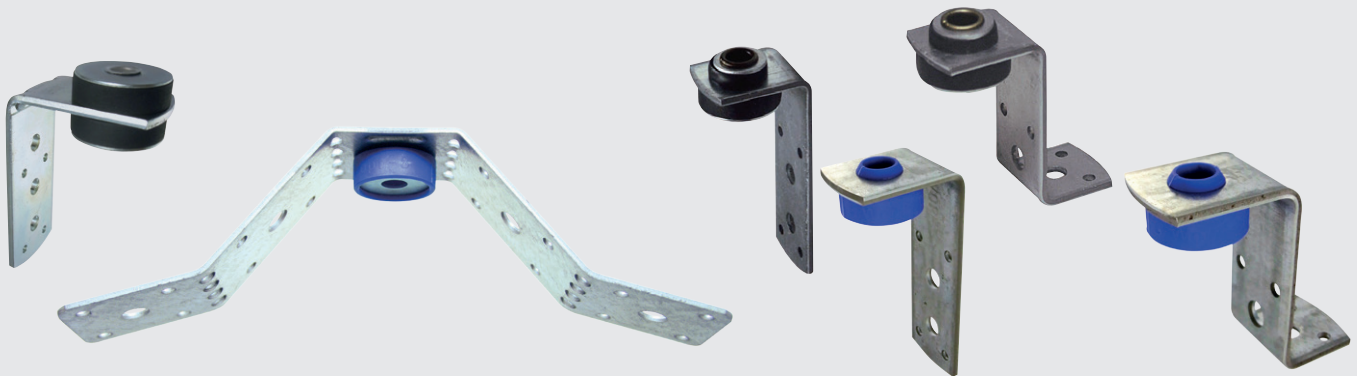


# Kwikstrut

## Additional sound insulation applications

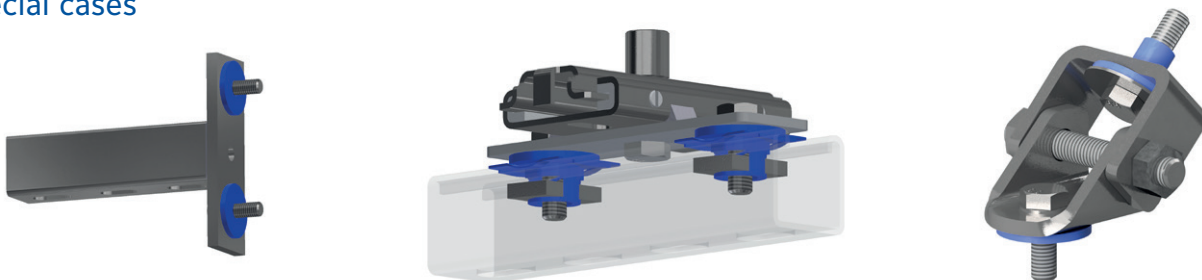
### Ventilation series

Our ventilation series is also equipped with sound protection elements.



Item no.	Product	Type	Material	Size	PU
1470407	Air duct angle bracket	L	EPDM	for M8	100
1470507	Air duct angle bracket	L	TPE	for M10	100
1470408	Air duct angle bracket	Z	EPDM	for M8	100
1470508	Air duct angle bracket	Z	TPE	for M10	100
1473000	Air duct angle bracket	Stable	Rubber	for M10	25
1470800	Air duct attachment	VDBT	TPE	for M8	100
1471000	Air duct attachment	VDBT	TPE	for M10	100

### Special cases



On request, sound insulation tests specific to the application can also be performed.

### Technical Service

Phone: +49 4131 301 15 00  
 kundenservice-wopf@tyco-bspd.com  
[www.Kwikstrut.com](http://www.Kwikstrut.com)

Do you have any questions concerning this product?  
 Do you need technical assistance?  
 Please contact us!

