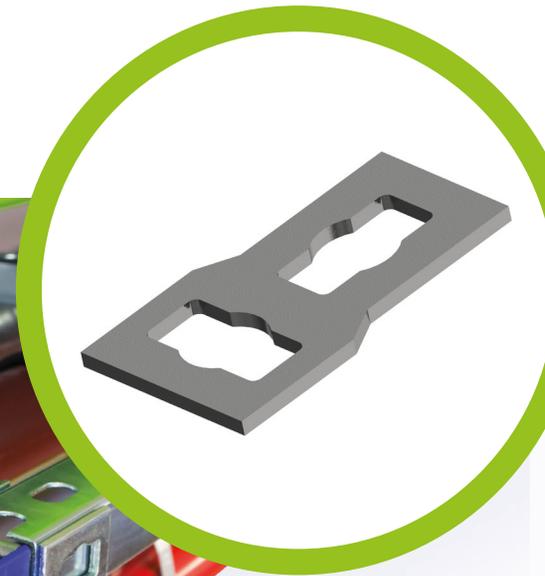


Kwikstrut QFT

T-connector



Functions and advantages

- Easy installation and adjustment
- Fewer individual parts
- Single-handed overhead installation possible
- Corrosion resistant
- Certified and authorised
- Made in Germany

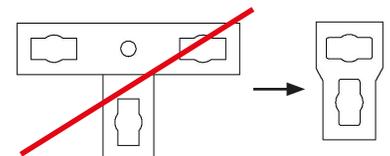
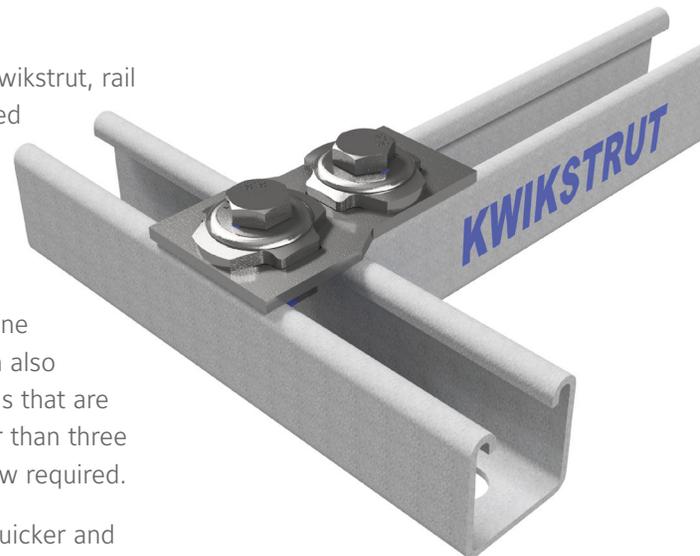
The new Kwikstrut QFT connector offers you the same opportunities with less material

T-connector

With the new T-connector from Kwikstrut, rail or frame systems can be assembled with secure positioning. Despite its material-saving design, the QFT can effortlessly withstand high loads.

Installation is even possible with one hand, so that the T-connector can also be installed safely even in locations that are difficult to access. Only two rather than three installation buttons (QFNH) are now required.

Installation is therefore cheaper, quicker and can be achieved with the same load values.



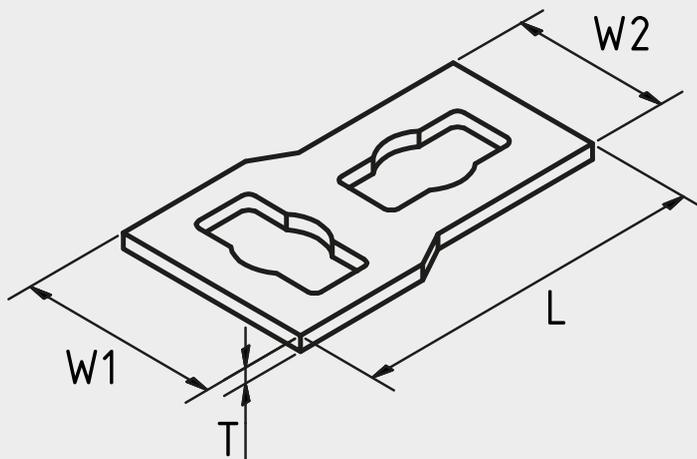
Precision
Quality
Innovation
Control



KWIKSTRUT® metal framing & pipe supports offer complete solutions for the installation and fixing of pipeline systems. KWIKSTRUT® allows a reduction of installation time and project costs in the broadest range of industrial and commercial applications.

Kwikstrut QFT

T-connector

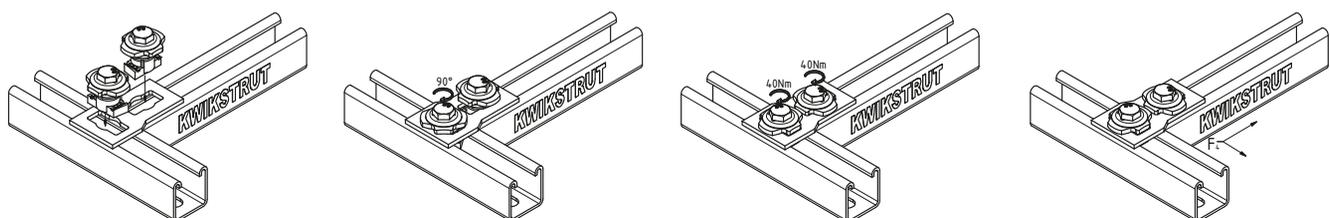


Technical specifications

Material

- QFT: DD11 - EN 10111; electro zinc plated DIN 50979:2008-07 - Fe//Zn8//An//T0
- QFT-HDG: DD11 - EN 10111; Delta Tone - EN ISO 9227:2017-07 NSS>480 h
- QFT-SS: Stainless steel A4 - 1.4404/1.4571 - EN 10088

Type	Article-no.	Dimensions (mm)				Max permit load F4	Weight (kg)	PU
		L	W1	W2	T			
QFT	1395910	91,5	52	41	4	3 kN	0,092	50
QFT-HDG	1395950	91,5	52	41	4	3 kN	0,092	50
QFT-SS	1357007	91,5	52	41	4	3 kN	0,092	50



Technical service

Phone: +49 4131 301 15 00
 kundenservice-wopf@tyco-bspd.com
www.Kwikstrut.com

Do you have questions about this product?

Do you need technical support?

Please contact your regional office or customer service of the WOPF manufacturer.

