

Kwikstrut H41

Retaining clip



Functions and advantages

- Guidance along the rail
- Prevents jumping open
- Available in three sizes
- Corrosion resistant
- Made in Germany

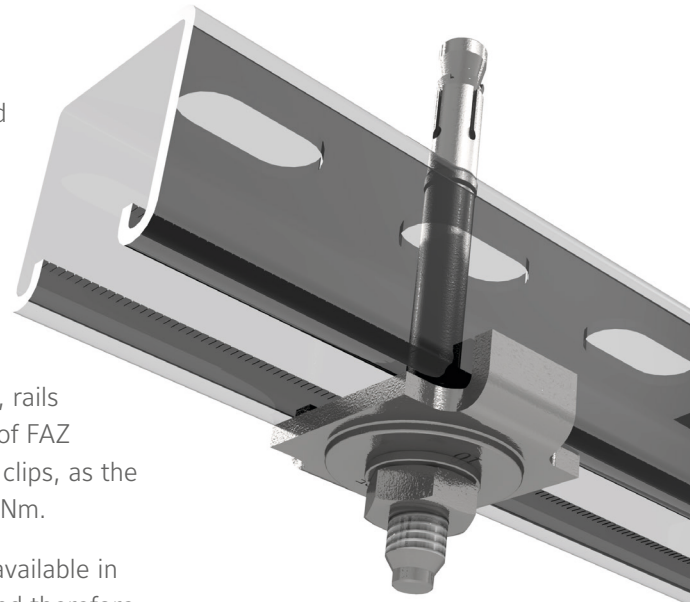
Larger, stronger, better – test the new, improved Kwikstrut H41 retaining clip!

H41

The newly designed retaining clip not only stands out for its increased contact surface for improved load distribution, but at the same time also prevents the C-profile rail from jumping open too widely. Additionally it offers good guidance along the rail.

Compared with the previous model, rails can now also be fixed with the aid of FAZ anchor bolts and the new retaining clips, as the new H41 can be tightened up to 60Nm.

The Kwikstrut H41 retaining clip is available in three different sizes and designs, and therefore fits in with any project.



Precision
Quality
Innovation
Control

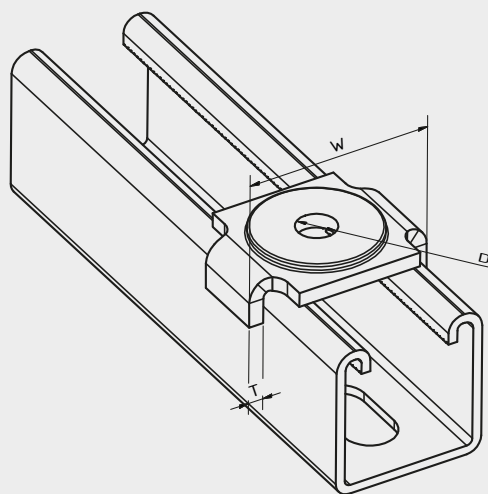


Made in
Germany

KWIKSTRUT® metal framing & pipe supports offer complete solutions for the installation and fixing of pipeline systems. KWIKSTRUT® allows a reduction of installation time and project costs in the broadest range of industrial and commercial applications.

Kwikstrut H41

Retaining clip



Technical specifications

Material

H41: DD11 – EN 10111; electro zinc plated DIN 50979:2008-07 – Fe//Zn8//An//TO

H41-HDG: DD11 – EN 10111; Delta Tone – EN ISO 9227:2017-07 NSS > 480 h

H41-SS: Stainless steel A4 – 1.4404/1.4571 – EN 10088

Article-no.	Coating	Dimensions (mm)			Max. tightening torque* (Nm)	Weight (kg)	PU
		W	T	D			
1404210	Galvanized	50	4	8,5	20	0,061	100
1404220	Galvanized	50	4	10,5	45	0,060	100
1404230	Galvanized	50	4	12,5	60	0,059	100
1404250	Delta Tone	50	4	8,5	20	0,061	100
1404260	Delta Tone	50	4	10,5	45	0,060	100
1404270	Delta Tone	50	4	12,5	60	0,059	100
1354250	Stainless steel	50	4	8,5	20	0,062	100
1354260	Stainless steel	50	4	10,5	45	0,061	100
1354270	Stainless steel	50	4	12,5	60	0,060	100

* The specified values apply only in the case of correctly implemented installation incl. washer.

Technical service

Phone: +49 4131 301 15 00
 kundenservice-wopf@tyco-bspd.com
www.Kwikstrut.com

Do you have questions about this product?

Do you need technical support?

Please contact your regional office or customer service of the WOPF manufacturer.

