

Kwikstrut QMF

Multiple Foot



Functions and advantages

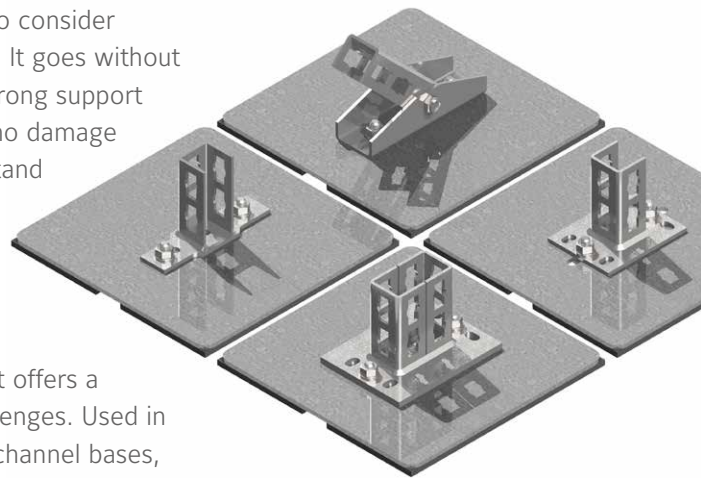
- can be combined with different channel bases
- does not react with roofing material
- extremely stable
- good load distribution
- Made in Germany
- corrosion-resistant

Flexible, adaptable and stable – our QMF Multiple Foot opens up a huge range of possibilities.

QMF

There are some critical factors to consider when installing fixtures on roofs. It goes without saying that they must provide strong support and stability on the roof, cause no damage to the roof and be able to withstand the elements. What is more, it must be possible to make frequent minor adjustments to angles and inclines.

The Kwikstrut QMF Multiple Foot offers a unique solution to all these challenges. Used in combination with four different channel bases, including an angle foot and the large bearing surface guarantees good load distribution and secure support. The QMF also demonstrates high corrosion-resistance and the fitted rubber mats prevent damage to the roof.



Precision
Quality
Innovation
Control

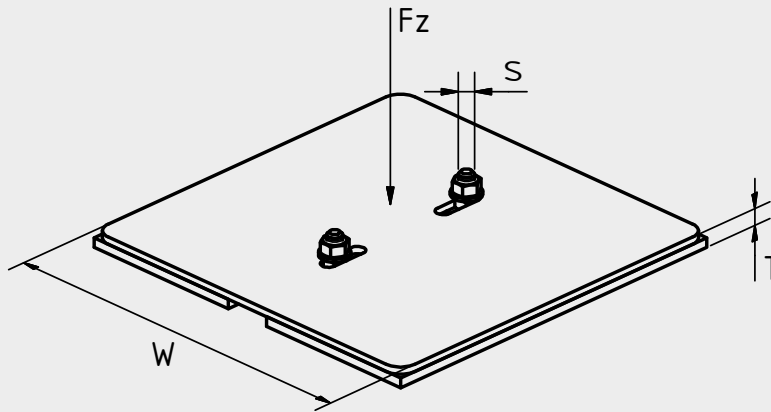


Made in
Germany

KWIKSTRUT® metal framing & pipe supports offer complete solutions for the installation and fixing of pipeline systems. KWIKSTRUT® allows a reduction of installation time and project costs in the broadest range of industrial and commercial applications.

Kwikstrut QMF

Multiple Foot



Technical specifications

Material

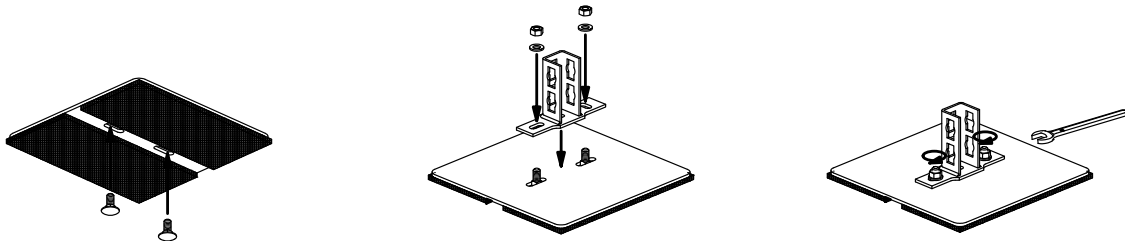
Plate: S 235 JR - EN 10025

Rubber mat: Regupol 6510G

Finish: Zinc nickel & top Coat (Corosil) - DIN 50979:2008-07 Fe//ZnNi8//Cn//T2

Type	Article-no.	Dimensions (mm)			Max permit load Fz	Weight (kg)	PU
		W	T	S			
QMF	1465000	320	14	M12	5 kN	5,477	2

Combine with QB41, QB82, QBS und QBFS.



Technical service

Phone: +49 4131 301 15 00
 kundenservice-wopf@tyco-bspd.com
www.Kwikstrut.com



Do you have questions about this product?

Do you need technical support?

Please contact your regional office or customer service of the WOPF manufacturer.