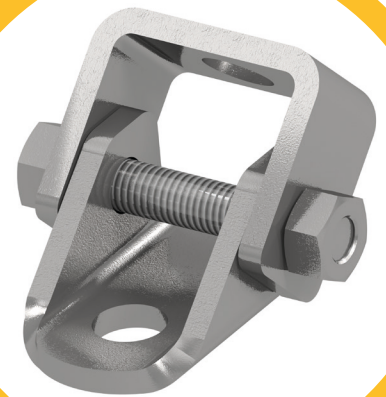


Installation accessories

Adjustable angle fitting HF



Functions and advantages

- Various applications
- Small size
- High load capacity
- Freely adjustable angle
- Corrosion resistant
- Made in Germany

The right angle with a strong grip for any situation and application

Adjustable angle fitting HF

The adjustable angle fitting HF was originally designed for bridge drainage. Nevertheless, it is a real all-rounder, as it can be combined perfectly with the Hercules fixed point or the Uni Solid clamp range. It can also be used to support mounting rails or brackets and the joint can be used both indoors and outdoors.

The small size is advantageous in the case of installation spaces that are confined or difficult to access, and the adjustable angle fitting HF can withstand a load of up to 5,000 N at an angle of 45° or 90°.



Precision
Quality
Innovation
Control

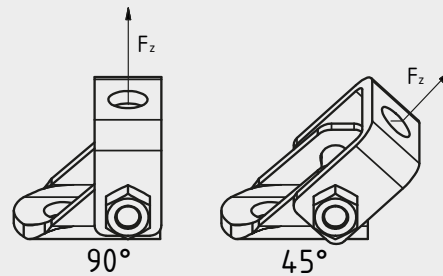
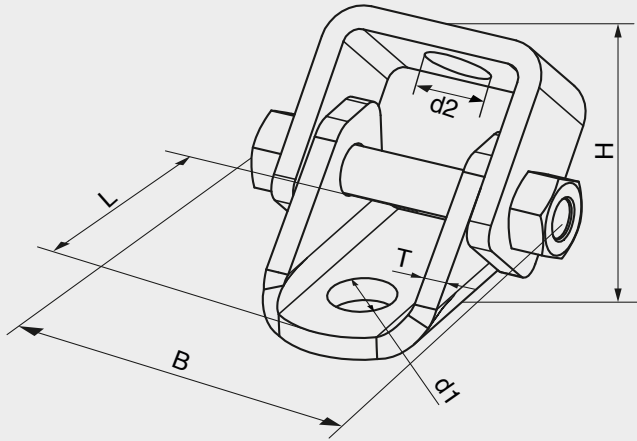


Made in
Germany

KWIKSTRUT® metal framing & pipe supports offer complete solutions for the installation and fixing of pipeline systems. KWIKSTRUT® allows a reduction of installation time and project costs in the broadest range of industrial and commercial applications.

Installation accessories

Adjustable angle fitting HF



Technical specifications

Material

- Adjustable angle fitting Ip: S235JR - EN 10025
- Bracket: DD11 - EN 10111 (2008-06)
- Threaded piece: M12 x 80 according to DIN 976
- Hex nut: self-locking M12 according to DIN 985
- Coating: Delta Tone - EN ISO 9227:2017-07 NSS>480h

Article no.	Dimensions (mm)						Max permit load Fz (kN)	Weight (kg)	PU
	L	B	H*	d1	d2	T			
1500165	63,5	80	60,5	17	17	6	5,0	0,481	10

* Depending on the angle set, the height varies between 37 and 60.5 mm



Technical service

Phone: +49 4131 301 15 00
 kundenservice-wopf@tyco-bspd.com
www.Kwikstrut.com

Do you have questions about this product?
 Do you need technical support?
 Please contact your regional office or customer service
 of the WOPF manufacturer.



Made in
Germany